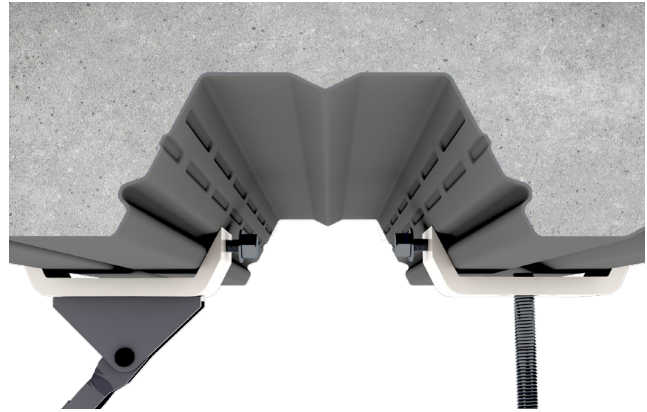


# W3-36/PLW3-36 FORMLOK® DECK-SLAB BADGER NO-DRILL™ HANGING AND BRACING SOLUTIONS

## Hang and Brace Loads From W3-36/PLW3-36 FormLok Composite Deck-Slabs

### BADGER CLAW HANGER

- IAPMO UES ER-2018



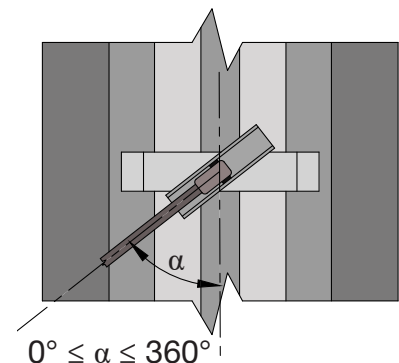
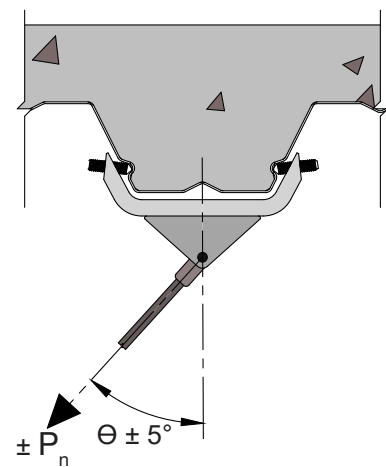
### HANGING OR BRACING LOAD

$f'_c = 3000$  psi (min.) NWC or LWC

Part Number	Threaded Rod Size (in.)	Load Angle ( $\theta$ )	Allowable Strength, $P_n / \Omega$ (lbs)					Design Strength, $\phi P_n$ (lbs)				
			Spacing (in.)					Spacing (in.)				
			2	4	6	8	$\geq 10$	2	4	6	8	$\geq 10$
NDH4S-W3	3/8	0	814	877	941	1004	1052	1254	1351	1449	1546	1620
		40	814	877	940	1003	1052	1254	1351	1448	1545	1620
		45	790	851	912	973	1020	1216	1311	1405	1499	1571
		50	763	822	882	941	986	1175	1267	1358	1449	1519
		55	735	792	849	906	949	1131	1219	1307	1395	1462
		60	704	759	814	868	910	1085	1169	1253	1337	1402

### MAXIMUM SPRINKLER PIPE DIAMETER

Part Number	Threaded Rod Size (in.)	Hanging NPS Diameter (in.)	Bracing NPS Diameter (in.)
NDH4S-W3	3/8	4	by analysis
	1/2	6	
	5/8	6	



### Notes:

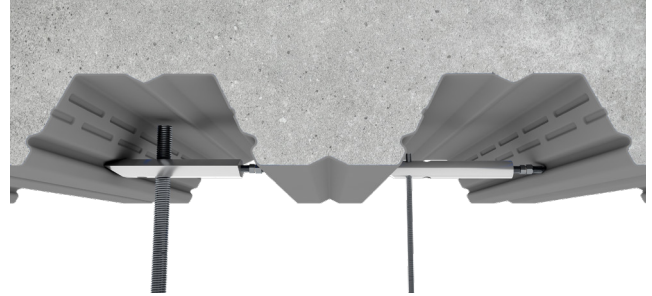
1. The strength of the FormLok Composite steel deck-slab, Badger No-Drill Hanger, or threaded rod, bolt, and other connecting hardware shall be equal or greater than the governing load combination as stipulated in the IBC or ASCE/SEI 7 including the fire sprinkler system loading.
2. The effect of connection spacing interaction, between the Badger NDH4S-W3 connections and any other connections to the composite steel-deck slab shall be considered.
3. Sprinkler pipe sizes at maximum hanger spacing conform to NFPA 13 based on the individual NDH4S-W3 connection strength without the effects of spacing interaction.
4. Badger No-Drill Hanger IAPMO recognized strengths published in this document are applicable to Verco FormLok deck manufactured after 6/21/2022.
5. Badger hangers shall be installed and inspected in accordance with manufacturer's instructions.

# W3-36/PLW3-36 FORMLOK® DECK-SLAB BADGER NO-DRILL™ HANGING SOLUTIONS

## Hang Loads From W3-36/PLW3-36 FormLok Composite Deck-Slabs

### BADGER CROSSBAR HANGERS

- IAPMO UES ER-2018

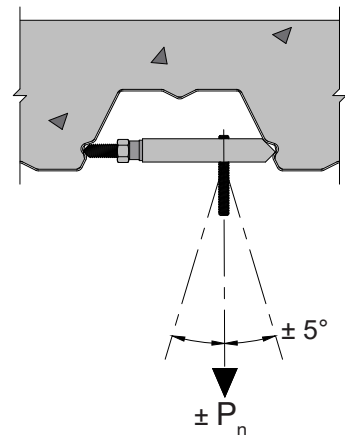


$f'_c = 3000$  psi (min.) NWC or LWC

Part Number	Threaded Rod Size (in.)	Spacing (in.)									
		2	4	6	8	10	12	14	16	18	≥ 20
<b>Allowable Strength, <math>P_n/\Omega</math> (lbs)</b>											
NDH3812 or MDH3812	3/8	410	423	435	448	460	472	478	478	478	478
NDH1258 or MDH1258	1/2	476	497	518	539	560	581	602	623	644	659
<b>Design Strength, <math>\phi P_n</math> (lbs)</b>											
NDH3812 or MDH3812	3/8	652	672	692	712	731	751	760	760	760	760
NDH1258 or MDH1258	1/2	799	835	870	906	941	976	1012	1047	1083	1107

### MAXIMUM SPRINKLER PIPE DIAMETER

Part Number	Threaded Rod Size (in.)	Hanging NPS Diameter (in.)
NDH3812 or MDH3812	3/8	4
NDH1258 or MDH1258	1/2	3½
NDH1258 or MDH1258	5/8	5



#### Notes:

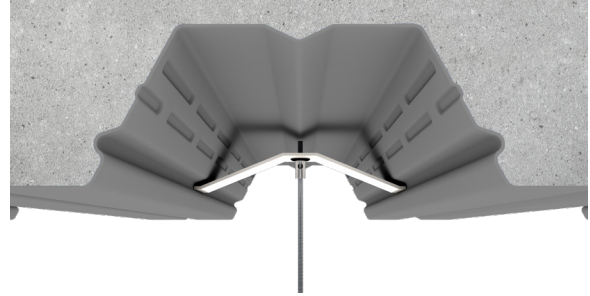
1. The strength of the FormLok Composite steel deck-slab, Badger No-Drill Hanger, or threaded rod, bolt, and other connecting hardware shall be equal or greater than the governing load combination as stipulated in the IBC or ASCE/SEI 7 including the fire sprinkler system loading.
2. The effect of connection spacing interaction, between the Badger NDH3812 or MDH3812, or NDH1258 or MDH1258 connections and any other connections to the composite steel-deck slab shall be considered.
3. Sprinkler pipe sizes at maximum hanger spacing conform to NFPA 13 based on the individual NDH3812 or MDH3812, or NDH1258 or MDH1258 connection strength without the effects of spacing interaction.
4. Badger No-Drill Hanger IAPMO recognized strengths published in this document are applicable to Verco FormLok deck manufactured after 6/21/2022.
5. Badger hangers shall be installed and inspected in accordance with manufacturer's instructions.

# W3-36/PLW3-36 FORMLOK® DECK-SLAB BADGER NO-DRILL™ HANGING SOLUTIONS

Hang Ceilings, Luminaries, and Light MEP From W3-36/PLW3-36 FormLok Composite Deck-Slabs

## BADGER SNAP-IN HANGER

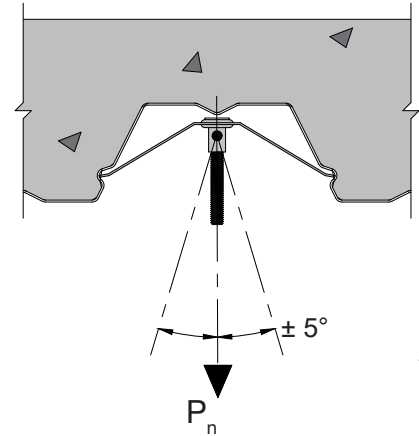
- IAPMO UES ER-2018



### HANGING LOAD

$f'_c = 3000$  psi (min.) NWC or LWC

Part Number	Threaded Rod Size (in.)	Allowable Strength $P_n / \Omega$ (lbs)	Design Strength $\phi P_n$ (lbs)
NDH38FV-W3	3/8	182	305



### MAXIMUM SPRINKLER PIPE DIAMETER

Part Number	Threaded Rod Size (in.)	Hanging NPS Diameter (in.)
NDH38FV-W3	3/8	1 1/2

### Notes:

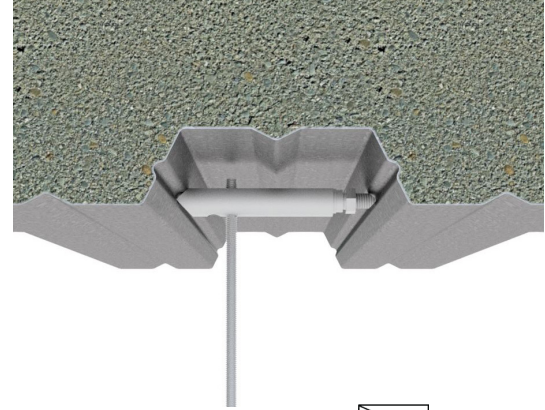
1. The strength of the FormLok Composite steel deck-slab, Badger No-Drill Hanger, or threaded rod, bolt, and other connecting hardware shall be equal or greater than the governing load combination as stipulated in the IBC or ASCE/SEI 7 including the fire sprinkler system loading.
2. The effect of connection spacing interaction, between the Badger NDH38FV-W3 connections and any other connections to the composite steel-deck slab shall be considered.
3. Sprinkler pipe sizes at maximum hanger spacing conform to NFPA 13 based on the individual NDH38FV-W3 connection strength without the effects of spacing interaction.
4. Badger No-Drill Hanger IAPMO recognized strengths published in this document are applicable to Verco FormLok deck manufactured after 6/21/2022.
5. Badger hangers shall be installed and inspected in accordance with manufacturer's instructions.

# W2-36/PLW2-36 FORMLOK® DECK-SLAB BADGER NO-DRILL™ HANGING SOLUTIONS

## Hang Loads From W2-36/PLW2-36 FormLok Composite Deck-Slabs

### BADGER CROSSBAR HANGER

- IAPMO UES ER-2018



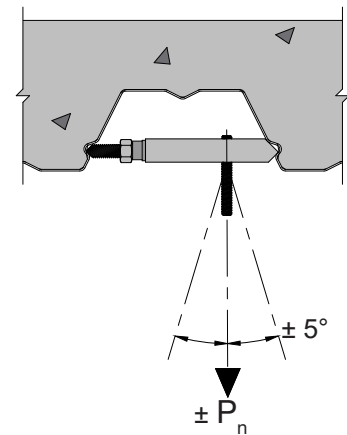
$f'_c = 3000$  psi (min.) NWC or LWC

Part Number	Threaded Rod Size (in.)	Spacing (in.)								
		2	4	6	8	12	16	20	24	≥ 28
<b>Allowable Strength, <math>P_n / \Omega</math> (lbs)</b>										
NDH3812 or MDH3812	3/8	370	387	403	420	453	486	519	552	584
	1/2									
<b>Design Strength, <math>\phi P_n</math> (lbs)</b>										
NDH3812 or MDH3812	3/8	600	626	653	680	733	787	840	893	947
	1/2									



### MAXIMUM SPRINKLER PIPE DIAMETER

Part Number	Threaded Rod Size (in.)	Hanging NPS Diameter (in.)
NDH3812 or MDH3812	3/8	4
	1/2	5



#### Notes:

1. The strength of the FormLok Composite steel deck-slab, Badger No-Drill Hanger, or threaded rod, bolt, and other connecting hardware shall be equal or greater than the governing load combination as stipulated in the IBC or ASCE/SEI 7 including the fire sprinkler system loading.
2. The effect of connection spacing interaction, between the Badger NDH3812 or MDH3812 connections and any other connections to the composite steel-deck slab shall be considered.
3. Sprinkler pipe sizes at maximum hanger spacing conform to NFPA 13 based on the individual NDH3812 or MDH3812 connection strength without the effects of spacing interaction.
4. Badger No-Drill Hanger IAPMO recognized strengths published in this document are applicable to Verco FormLok deck manufactured after 6/21/2022.
5. Badger hangers shall be installed and inspected in accordance with manufacturer's instructions.