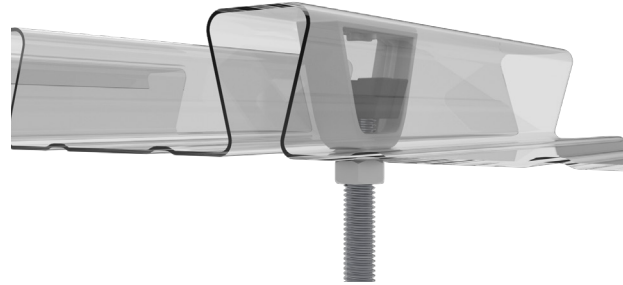


PINTAIL™ ANCHOR HANGING AND BRACING SOLUTIONS for 2.0DS-30 FL / 2.0DF-30 FL COMPOSITE DECK-SLAB

Hang and Brace Loads from 2.0DS-30 FL / 2.0DF-30 FL Composite Deck-Slabs

PINTAIL™ ANCHOR

- IAMPO UES ER-0423



LOAD IN ANY DIRECTION

$f'_c = 3000$ psi (min.) & 110 lb/ft³ (min.)



| Part Number | Threaded Rod Size (in.) | Allowable Strength, P_n / Ω (lbs) | | | | | Design Strength, ϕP_n (lbs) | | | | |
|-------------|-------------------------|--|-----|-----|-----|---------------|-----------------------------------|-----|-----|-----|---------------|
| | | Spacing (in.) | | | | | Spacing (in.) | | | | |
| | | 2 3/8 | 4 | 6 | 8 | ≥ 9 3/8* | 2 3/8 | 4 | 6 | 8 | ≥ 9 3/8* |
| 20PT3 | 3/8"-16 | 345 | 365 | 390 | 415 | 432 | 569 | 603 | 644 | 685 | 712 |
| 20PT4 | 1/2"-13 | 345 | 365 | 390 | 415 | 432 | 569 | 603 | 644 | 685 | 712 |

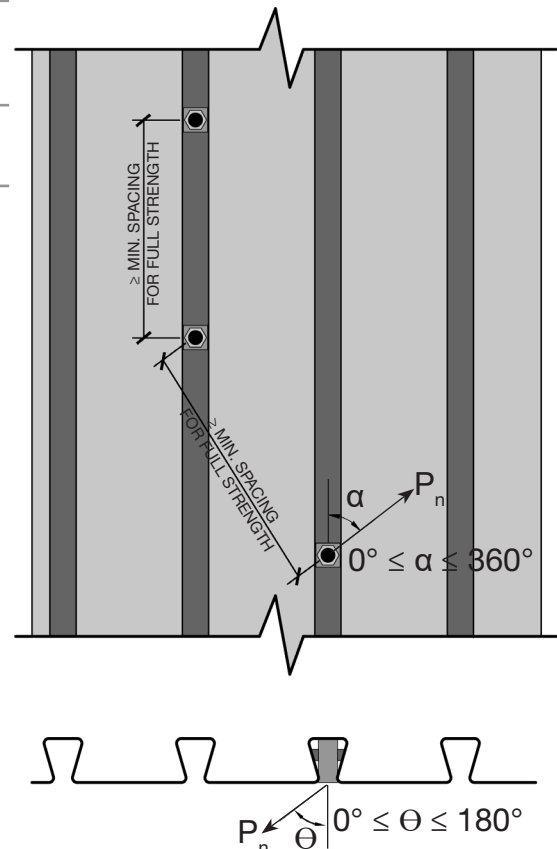
*Minimum spacing for full strength. The minimum spacing applies to Pintail Anchors in the same or adjacent flute.

MAXIMUM SPRINKLER PIPE DIAMETER $f'_c = 3000$ psi

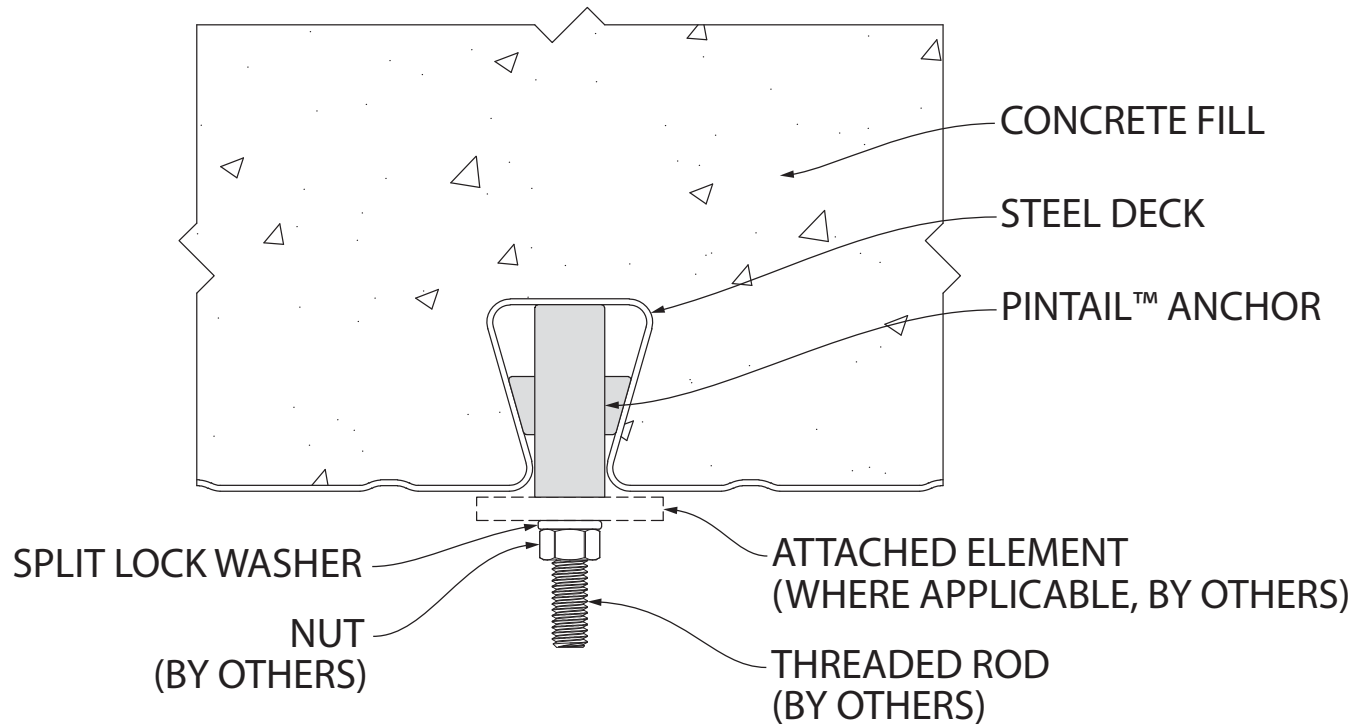
| Part Number | Threaded Rod Size (in.) | Hanging NPS Diameter (in.) | Bracing NPS Diameter (in.) |
|-------------|-------------------------|----------------------------|----------------------------|
| 20PT3 | 3/8"-16 | 4 | by analysis |
| 20PT4 | 1/2"-13 | 4 | |

Notes:

1. Tabulated values show maximum load in any direction. Design for specific shear, tension, or shear/tension combinations, loads at specific angle, or for alternate concrete strength up to $f'_c = 4,000$ psi is permissible. See IAMPO Report ER-0423 and online design tool.
2. The strength of the Dovetail FL composite steel deck-slab, PinTail anchor, threaded rod or bolt, and other connecting hardware shall be equal or greater than the governing load combination as stipulated in the IBC or ASCE/SEI 7 including the fire sprinkler system loading.
3. The effect of connection spacing interaction, between the PinTail anchors and any other connections to the composite steel-deck slab shall be considered.
4. Maximum fire sprinkler pipe size in accordance with NFPA 13 assuming minimum connector spacing and no applied shear load.
5. PinTail anchors shall be installed and inspected in accordance with manufacturer's instructions.



PINTAIL™ ANCHOR HANGING AND BRACING SOLUTIONS INSTALLATION INSTRUCTIONS



INSTALLATION:

1. Ensure deck rib is free of foreign material.
2. Insert threaded rod into PinTail™ anchor and thread into wedgenut.
3. Insert PinTail™ anchor into steel deck.
4. Push in threaded rod and rotate wedgenut 90 degrees.
5. Release threaded rod to seat the wedgenut against the webs of steel deck.
6. Attach element (where applicable) followed by split lock washer and nut.
7. Tighten nut until split lock washer is fully compressed.

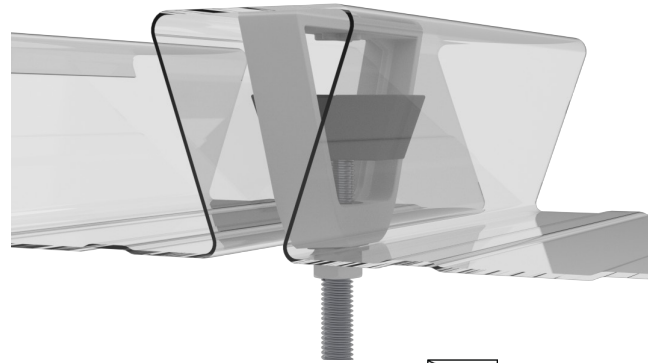


PINTAIL™ ANCHOR HANGING AND BRACING SOLUTIONS for 3.5DS-24 FL / 3.5DF-24 FL COMPOSITE DECK-SLAB

Hang and Brace Loads from 3.5DS-24 FL / 3.5DF-24 FL Composite Deck-Slabs

PINTAIL™ ANCHOR

- IAMPO UES ER-0423



LOAD IN ANY DIRECTION

$f'_c = 3000$ psi (min.) & 110 lb/ft³ (min.)

| Part Number | Threaded Rod Size (in.) | Allowable Strength, P_n / Ω (lbs) | | | | Design Strength, ϕP_n (lbs) | | | |
|-------------|-------------------------|--|-----|-----|-----------|-----------------------------------|-----|------|-----------|
| | | Spacing (in.) | | | | Spacing (in.) | | | |
| | | 4 3/16 | 12 | 24 | ≥ 34 | 4 3/16 | 12 | 24 | ≥ 34 |
| 35PT3 | 3/8"-16 | 479 | 560 | 683 | 790 | 791 | 924 | 1127 | 1303 |
| 35PT4 | 1/2"-13 | 479 | 560 | 683 | 790 | 791 | 924 | 1127 | 1303 |
| 35PT5 | 5/8"-11 | 479 | 560 | 683 | 790 | 791 | 924 | 1127 | 1303 |

*Minimum spacing for full strength. The minimum spacing applies to Pintail Anchors in the same or adjacent flute.

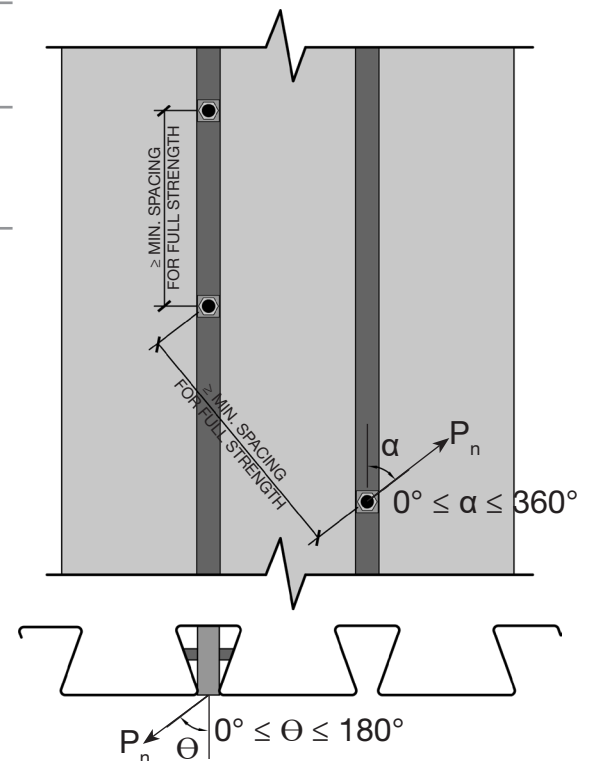
MAXIMUM SPRINKLER PIPE DIAMETER

$f'_c = 3000$ psi

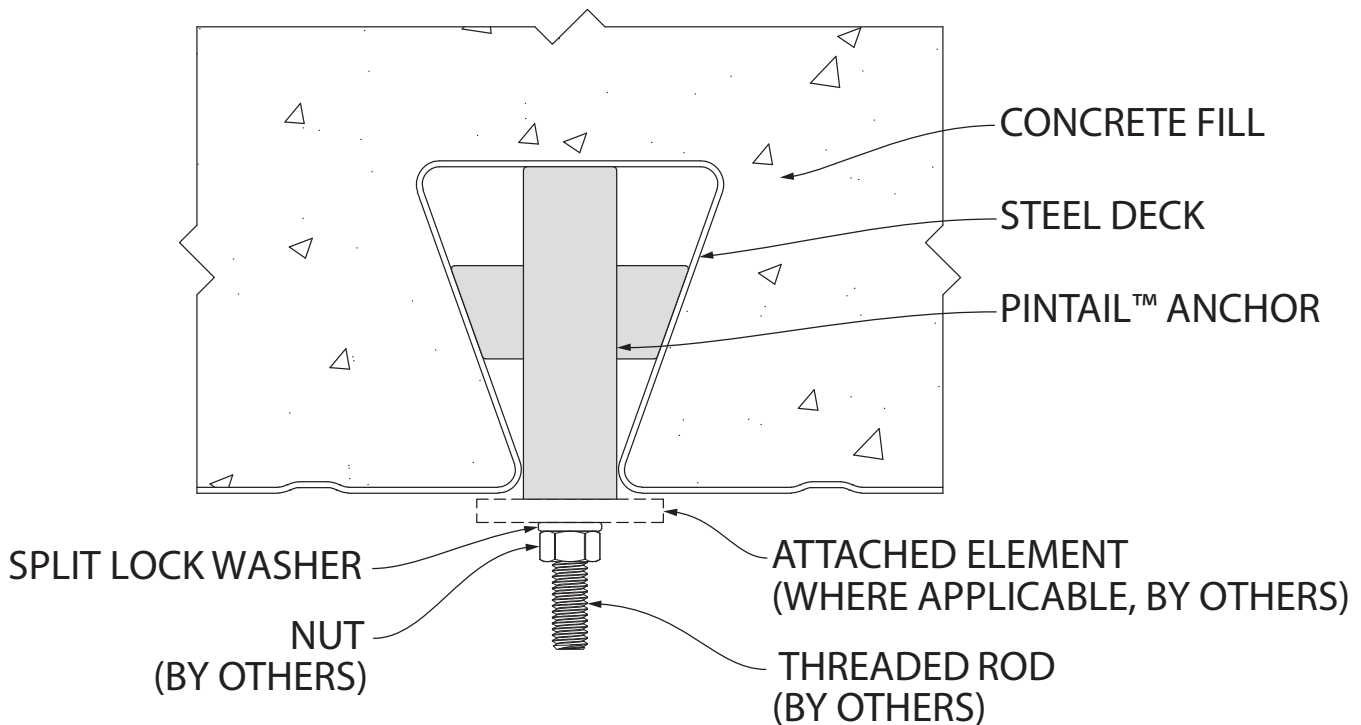
| Part Number | Threaded Rod Size (in.) | Hanging NPS Diameter (in.) | Bracing NPS Diameter (in.) |
|-------------|-------------------------|----------------------------|----------------------------|
| 35PT3 | 3/8"-16 | 4 | |
| 35PT4 | 1/2"-13 | 8 | by analysis |
| 35PT5 | 5/8"-11 | 8 | |

Notes:

1. Tabulated values show maximum load in any direction. Design for specific shear, tension, or shear/tension combinations, loads at specific angle, or for alternate concrete strength up to $f'_c = 4,000$ psi is permissible. See IAMPO Report ER-0423 and online design tool.
2. The strength of the Dovetail FL composite steel deck-slab, PinTail anchor, threaded rod, or bolt and other connecting hardware shall be equal or greater than the governing load combination as stipulated in the IBC or ASCE/SEI 7 including the fire sprinkler system loading.
3. The effect of connection spacing interaction, between the PinTail anchors and any other connections to the composite steel-deck slab shall be considered.
4. Maximum fire sprinkler pipe size in accordance with NFPA 13 assuming minimum connector spacing and no applied shear load.
5. PinTail anchors shall be installed and inspected in accordance with manufacturer's instructions.



PINTAIL™ ANCHOR HANGING AND BRACING SOLUTIONS INSTALLATION INSTRUCTIONS



INSTALLATION:

1. Ensure deck rib is free of foreign material.
2. Insert threaded rod into PinTail™ anchor and thread into wedgenut.
3. Insert PinTail™ anchor into steel deck.
4. Push in threaded rod and rotate wedgenut 90 degrees.
5. Release threaded rod to seat the wedgenut against the webs of steel deck.
6. Attach element (where applicable) followed by split lock washer and nut.
7. Tighten nut until split lock washer is fully compressed.

