

# DOVETAIL FORMLOK® DECK-SLAB WEDGE-NUT HANGING SOLUTIONS

## HANG YOUR MECHANICAL SYSTEMS FROM DOVETAIL FORMLOK COMPOSITE DECK-SLABS

### DOVETAIL FORMLOK WEDGE-NUTS

- IAPMO UES ER-423
- UL Listed



#### HANGING LOAD

$f'_c = 2500$  psi (min.) NWC or LWC

Profile	Part Number	Connection Strength	
		Allowable $P_n / \Omega$ (lbs)	Design $\phi P_n$ (lbs)
2.0D FormLok	2.0D-WN-3/8NC	1392	2297
	2.0D-WN-1/2NC		
3.5D FormLok	3.5D-WN-3/8NC	1996	3294
	3.5D-WN-1/2NC		



#### MAXIMUM SPRINKLER PIPE DIAMETER



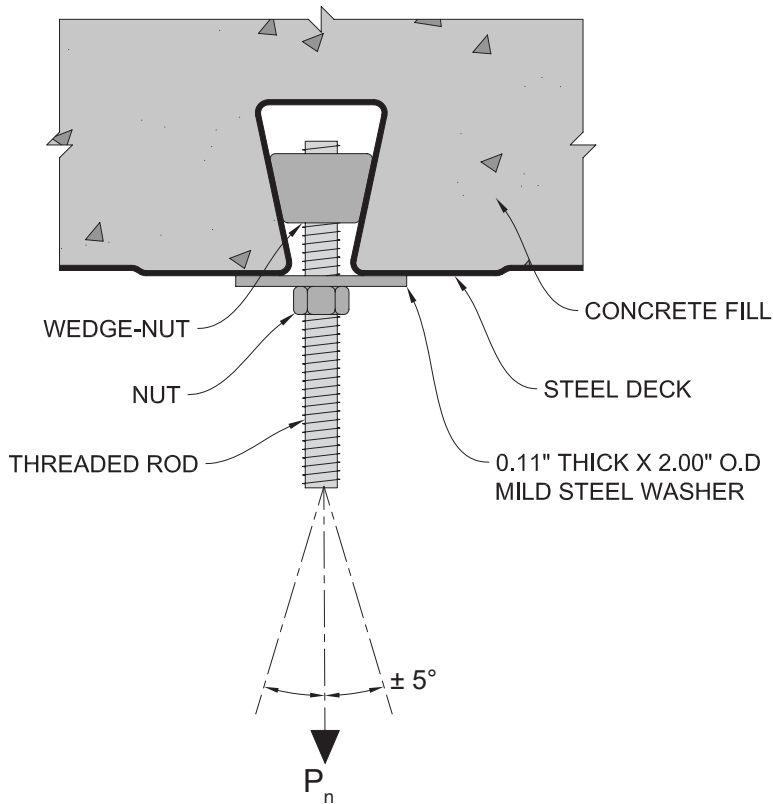
Profile	Part Number	NPS	UL No.
		Diameter (in.)	
2.0D FormLok	2.0D-WN-3/8NC	4	EX27777
	2.0D-WN-1/2NC	6	
3.5D FormLok	3.5D-WN-3/8NC	4	EX27777
	3.5D-WN-1/2NC	8	

#### Notes:

1. The strength of the Dovetail FormLok Composite steel deck-slab, Wedge-Nut, or threaded rod, bolt, and other connecting hardware shall be equal or greater than the governing load combination as stipulated in the IBC or ASCE/SEI 7 including the fire sprinkler system loading.
2. Wedge-Nut connections shall be installed per manufacturer's instructions.

# DOVETAIL FORMLOK® DECK-SLAB WEDGE-NUT HANGING SOLUTIONS

## DOVETAIL FORMLOK WEDGE-NUT INSTALLATION



**Figure 1**

1. Deck ribs shall be free of foreign material to ensure the wedge-nut bears directly on the steel deck.
2. Insert wedge-nut and rotate to seat the surface against the webs of the steel deck as shown in Figure 1.
3. Position wedge-nut in the center of the rib with the threaded rod or bolt perpendicular to the bottom surface of the steel deck as shown in Figure 1.
4. Tighten the  $\frac{3}{8}$ " threaded rod or bolt 1 to  $1\frac{1}{2}$  turns beyond snug tight.
5. Tighten the  $\frac{1}{2}$ " threaded rod or bolt  $\frac{1}{2}$  to 1 turn beyond snug tight.

NOTICE: Design defects that could cause injury or death may result from relying on the information in this document without independent verification by a qualified professional. The information in this document is provided "AS IS". Nucor Corporation and its affiliates expressly disclaim: (i) any and all representations, warranties and conditions and (ii) all liability arising out of or related to this document and the information in it.